

Drawer Systems Fitting Instructions

for Leisure Height (250 mm High) Steel & Aluminum

New 2015+ Mitsubishi Triton L200 MK.7

(GB) Fitting Instructions
(D) Montageanleitung
(NL) Montagevoorschrift
(F) Instructions de montage

(E) Instrucciones de montaje
(I) Schema di montaggio
(S) Manual
(RUS) руководство по монтажу



Steel Leisure Height Drawer Systems (250 mm High)



Aluminum Leisure Height Drawer Systems (250 mm High)



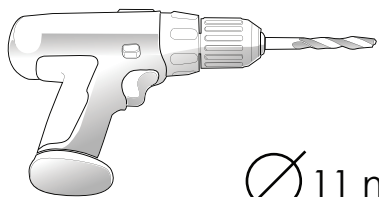
45 min

Drawer Systems Fitting Instructions

for Leisure Height (250 mm High) Steel & Aluminum

New 2015+ Mitsubishi Triton L200 MK.7

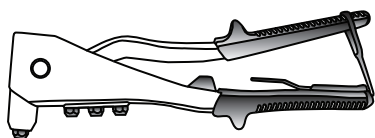
Required tools



∅ 11 mm

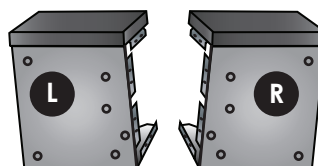


14 mm



Side Wings / Side Bin Holders

Leisure Height Drawer Systems (250 mm High)



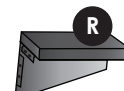
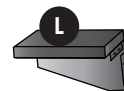
FR.1

(Front) x 2



MID.1

(Middle) x 2



R.1

(Rear) x 2

Fitting Kit



Drawer Brackets



M10 x 30 x 1.25



M10



Counter Plates

x 6

Only for Leisure Height Drawer Systems (250 mm High)
New 2015+ Mitsubishi L200 MK.7



M10 x 25 x 1.25 x 12



M10 x 24



M10 x 1.25 x 12



Rivets x 40

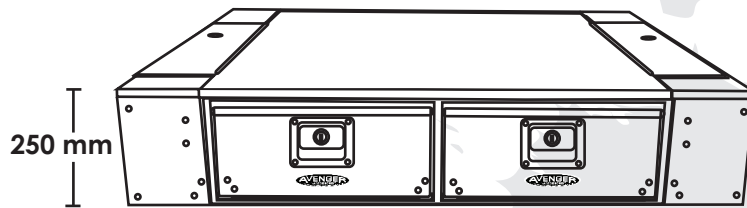


45 min

Drawer Systems Fitting Instructions

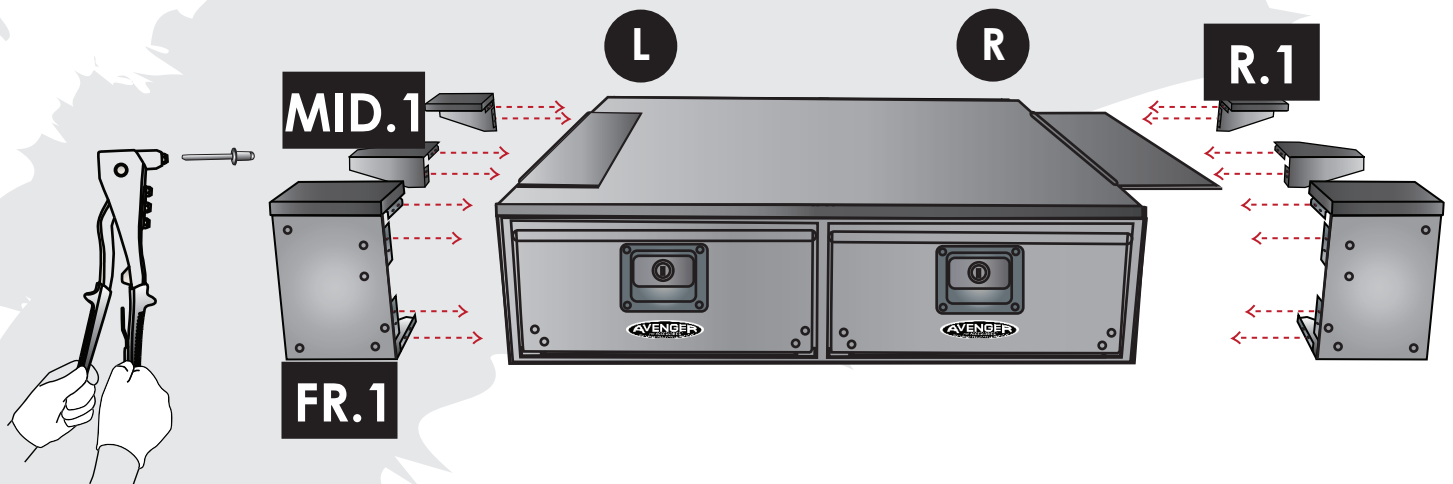
for Leisure Height (250 mm High) Steel & Aluminum

New 2015+ Mitsubishi Triton L200 MK.7



Steel Leisure Height Drawer Systems (250 mm High)
(P/N: ST250 - 1400)

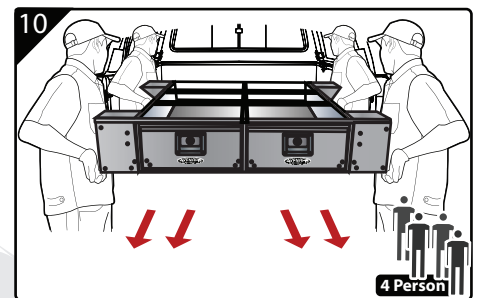
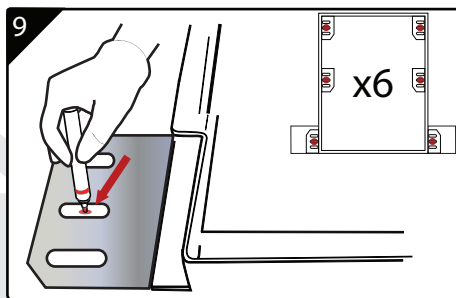
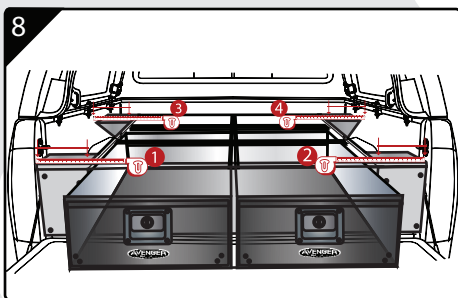
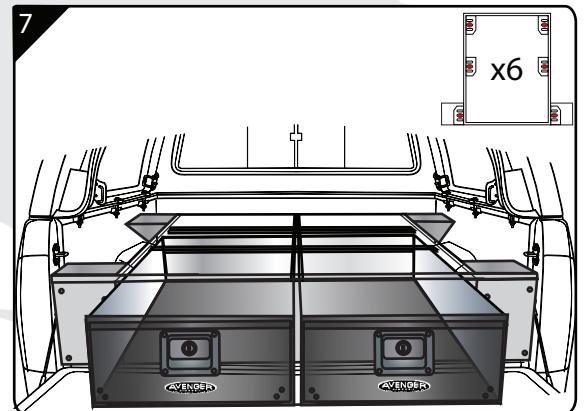
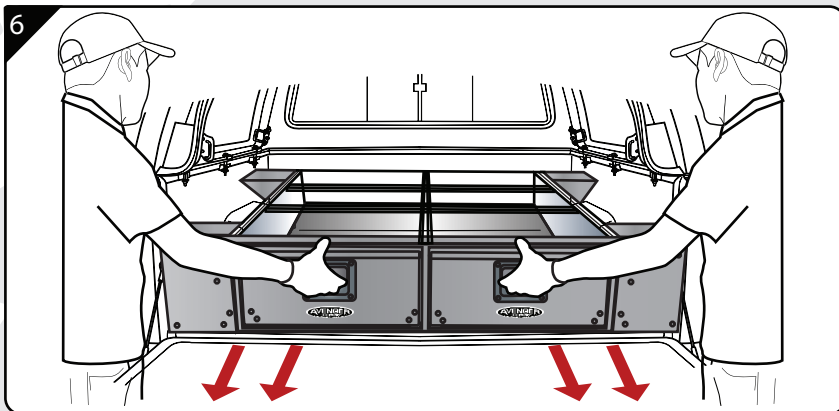
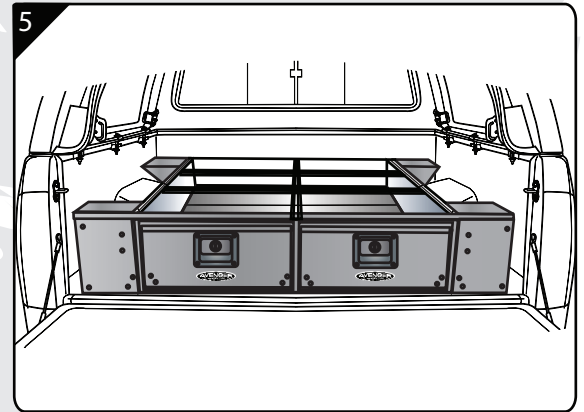
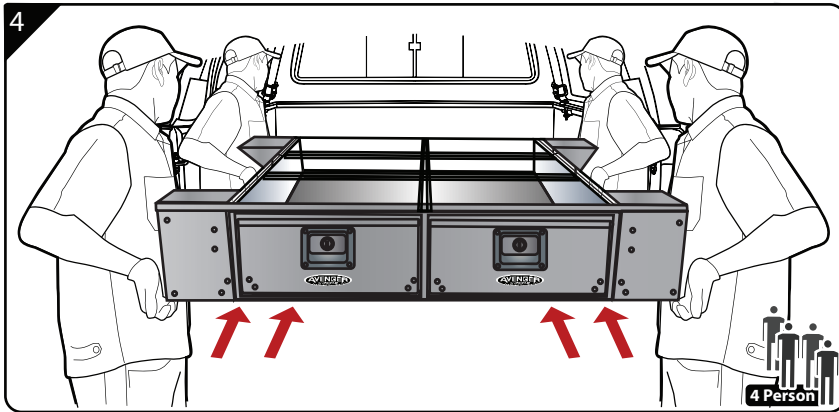
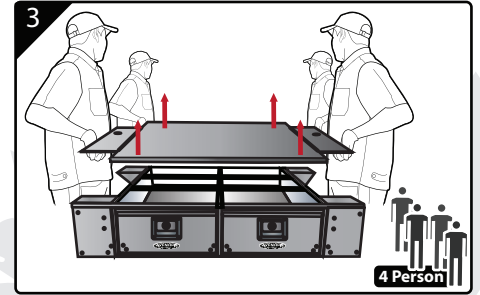
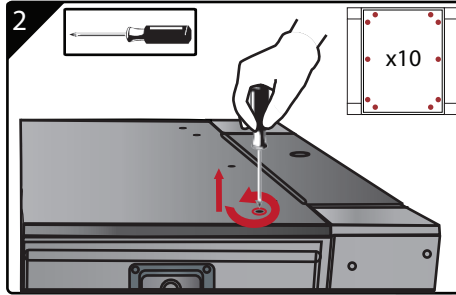
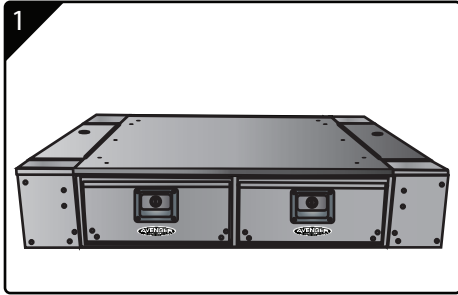
Aluminum Leisure Height Drawer Systems (250 mm High)
(P/N: AL250 - 1400)



Drawer Systems Fitting Instructions

for Leisure Height (250 mm High) Steel & Aluminum

New 2015+ Mitsubishi Triton L200 MK.7

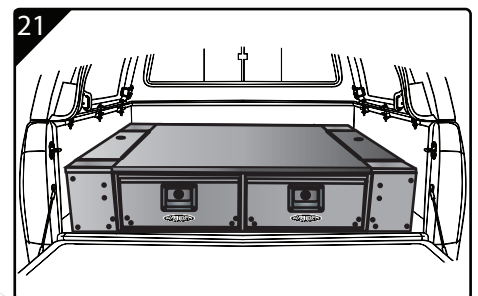
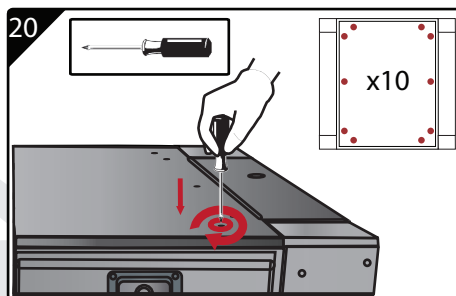
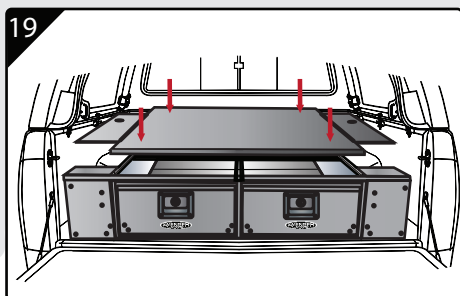
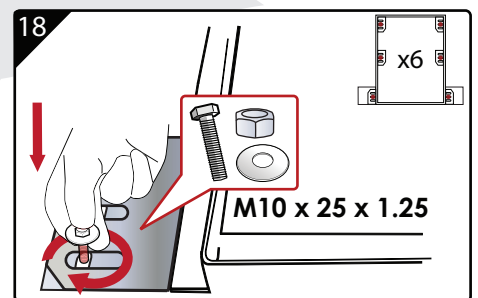
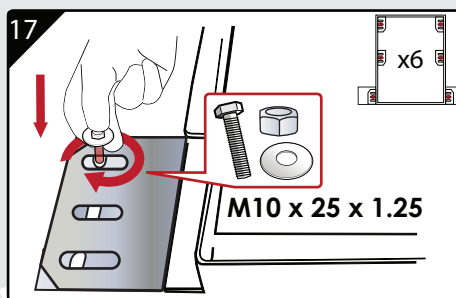
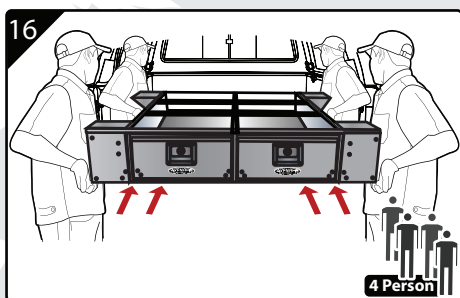
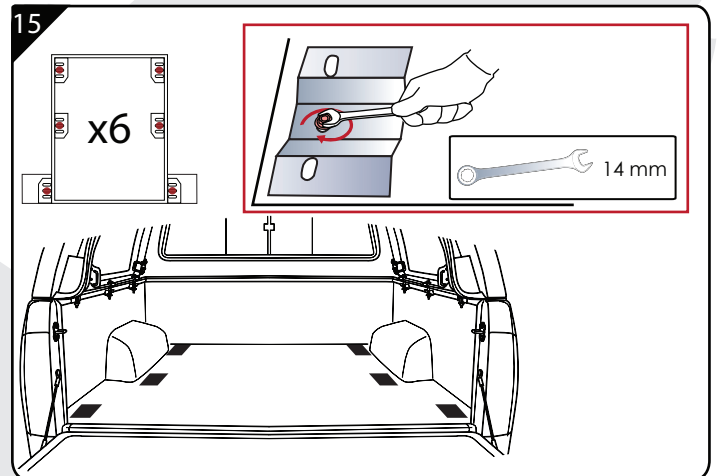
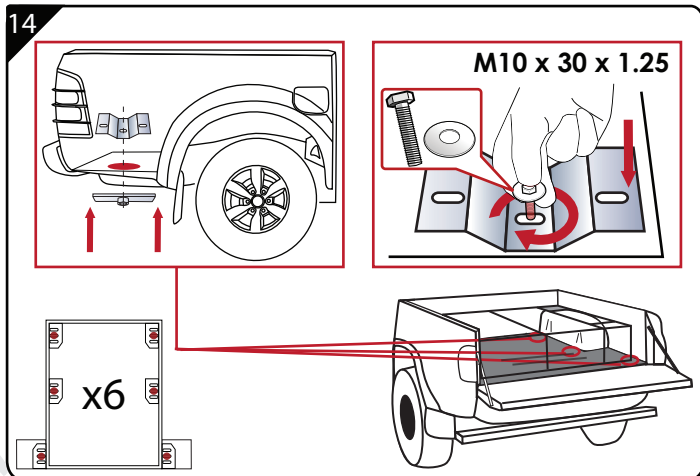
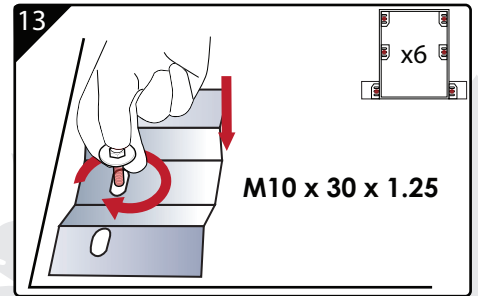
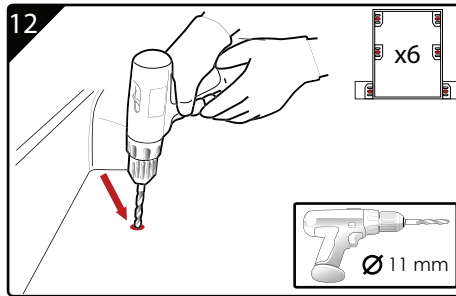
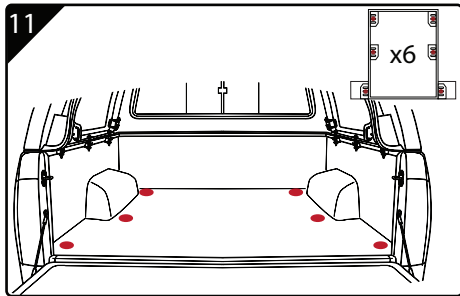


45 min

Drawer Systems Fitting Instructions

for Leisure Height (250 mm High) Steel & Aluminum

New 2015+ Mitsubishi Triton L200 MK.7



45 min